

FILE

*adl*

A.Lacoste-X2281

Operations Division  
Eastern Evaluation Section

**JUN 28 2010**

SUBJECT: (General Permit)NOD-20  
BASE FILE: MVN 2010-01521 EKK

bp America Production Company  
2401 5<sup>th</sup> Avenue 5, NOB 3-C  
Texas City, Texas 77592

Gentlemen:

This concerns your enclosed correspondence dated June 25, 2010, relative to your request for an emergency authorization to install approximately 4,796-feet of rigid pipe booms with containment screens and approximately 650-feet of flexible boom in western Pass Abel, north of Isle Grande Terre, within Jefferson Parish, Louisiana; in order in order to mitigate effects of oil from the MC252 (Deepwater Horizon) oil spill within the region.

We have reviewed your request and find that the work qualifies under (General Permit) NOD-20 for emergency operations, as long as all conditions of this permit are met. This authorization does not obviate you from acquiring a Louisiana Coastal Use Permit or any other federal, state, or local approvals that may be required by law.

The following conditions are hereby made a part of this emergency authorization:

1. The permittee understands and agrees that, if future operations by the United States require the removal, relocation, or other alteration, of the structure or work herein provided emergency authorized, or if, in the opinion of the Secretary of the Army or his authorized representative, said structure or work shall cause unreasonable obstruction to the free navigation of the navigable waters, the permittee will be required, upon due notice from the Corps of Engineers, to remove, relocate, or alter the structural work or obstructions caused thereby, without expense to the United States. No claim shall be made against the United States on account of any such removal or alteration.
2. Your use of the permitted activity shall not obstruct the public's right to free navigation on all navigable waters of the United States.
3. You shall install and maintain, at your expense, any safety lights, signs and signals prescribed by the U.S. Coast Guard, through regulations or otherwise, on your authorized structures.
4. If the proposed project, or future maintenance work, involves the use of floating construction equipment (barge mounted cranes, barge mounted pile driving equipment, floating dredge equipment, etc..) you are advised to notify the U.S. Coast Guard so that a Notice to Mariners, if required, may be prepared. Notification with a copy of your emergency authorization and any associated plats should be immediately forwarded to the U.S. Coast Guard, Sector New Orleans

Command Center, 201 Hammond Highway, Metairie, Louisiana 70005. Telephone inquiries can be directed to 504-846-5923.

5. Potential impacts of the pilings and associated booms and containment screens on fish and wildlife passage including sea turtles and other fisheries should be coordinated with the USFWS and National Marine Fisheries Service prior to their deployment. Wildlife or other marine organism strandings are to be reported immediately to the appropriate State and Federal resource agencies.

6. The Chitimacha Tribe of Louisiana has stated that the project area is part of the aboriginal Chitimacha homelands. If during the course of work at the site, prehistoric and/or historic aboriginal cultural materials are discovered, the applicant will contact the Chitimacha Tribe of Louisiana at P.O. Box 661, Charenton, LA 70523, and the Army Corps of Engineers, New Orleans District (CEMVN) Regulatory Branch. CEMVN will initiate the required Federal, State, and Tribal coordination to determine the significance of the cultural materials and the need, if applicable, for additional cultural resource investigations.

This approval is subject to the terms and conditions of (General Permit) NOD-20, dated September 13, 2007, a copy of which is enclosed. Please note that a formal permit application and drawings must be submitted within the time limits stated in the enclosed general permit.

Your project is located within the Louisiana Coastal Zone, as such your formal permit application submittal must be sent through the Louisiana Department of Natural Resources. Should you require information on submitting your application through their office, please contact Mr. Karl Morgan at [REDACTED].

The New Orleans District Regulatory Branch is committed to providing quality and timely service to our customers. In an effort to improve customer service, please take a moment to complete and return the attached Customer Service Survey or go to the survey found on our web site at <http://per2.nwp.usace.army.mil/survey.html>.

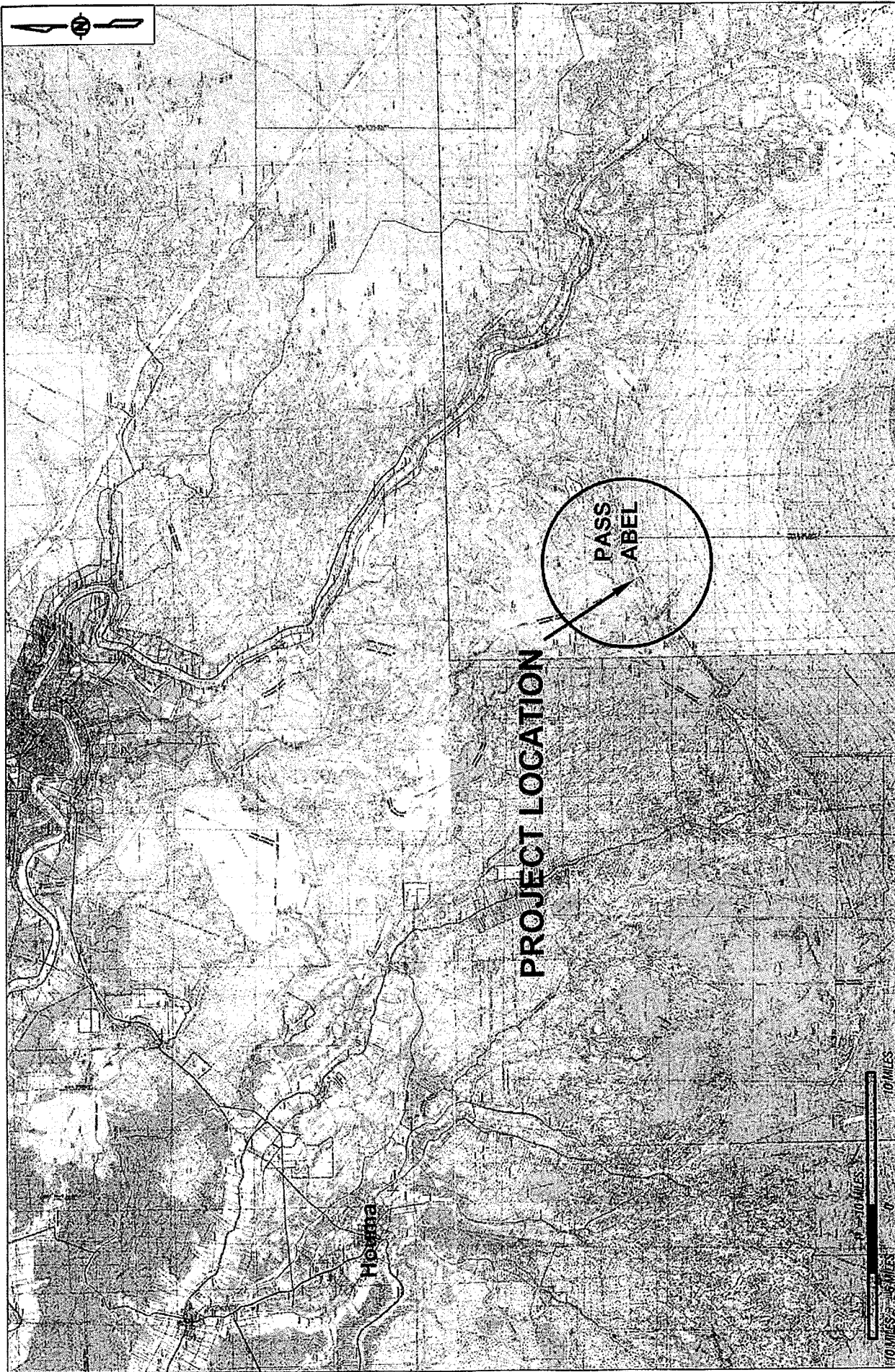
Should you have any further questions concerning this matter, please call Angie D. Lacoste of this office at 504-862-2881.

Sincerely,

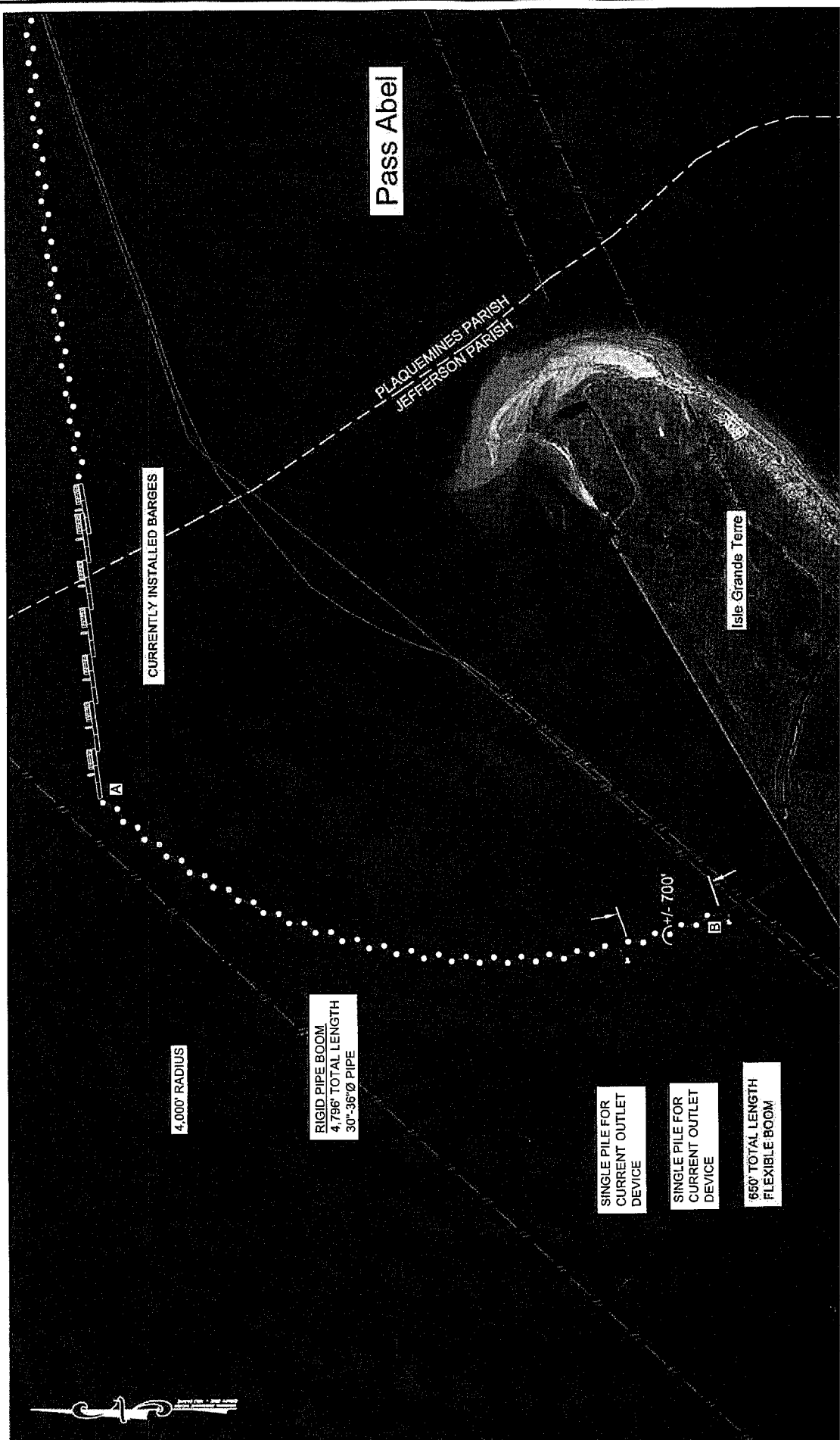
Pete J. Serio  
Chief, Regulatory Branch

  
Farabee  
OD-SE  
  
Serio  
OD-S

Enclosure



<p>APPLICATION BY: BP North America</p>	<p>DESIGNED BY: CMC/TBS</p>	<p>APPROVED BY: KPR</p>	<p><b>T. BAKER SMITH</b> PROFESSIONAL CONSULTANTS SINCE 1913 (985) 668-1050 www.tbasmith.com</p>	<p>RIGID PIPE BOOM INSTALLATION AT PASS ABEL JEFFERSON &amp; PLAQUEMINES PARISH, LOUISIANA</p>	<p>VICINITY MAP</p>
<p>DRAWN BY: KMB</p>	<p>STATE PROJECT NUMBER: N/A</p>	<p>FEDERAL PROJECT NUMBER: N/A</p>	<p>DATE: 25 JUNE 2010</p>	<p>DATE: 25 JUNE 2010</p>	<p>SHEET 1 OF 4</p>



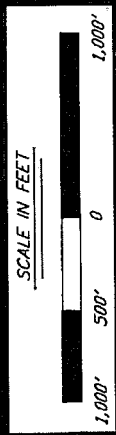
4,000' RADIUS

RIGID PIPE BOOM  
4,796' TOTAL LENGTH  
30"-36"Ø PIPE

SINGLE PILE FOR  
CURRENT OUTLET  
DEVICE

SINGLE PILE FOR  
CURRENT OUTLET  
DEVICE

650' TOTAL LENGTH  
FLEXIBLE BOOM



SCALE IN FEET

RIGID PIPE BOOM ALIGNMENT				
Pt	Easting	Northing	Longitude	Latitude
A	3732235.95'	295559.58'	W89° 55' 01.47"	N29° 18' 18.15"
B	3731390.28'	291125.22'	W89° 55' 11.64"	N29° 17' 34.36"

APPLICATION BY:  
BP North America

**Chef Morrison**  
CONTRACTORS



**T. BAKER SMITH**  
PROFESSIONAL CORPORATION  
(808) 848-1059 www.tbasmith.com

RIGID PIPE BOOM INSTALLATION AT PASS ABEL  
JEFFERSON & PLAQUEMINES PARISH, LOUISIANA

PLAN VIEW

DRAWN BY: KMB

DESIGNED BY: CMC/TBS

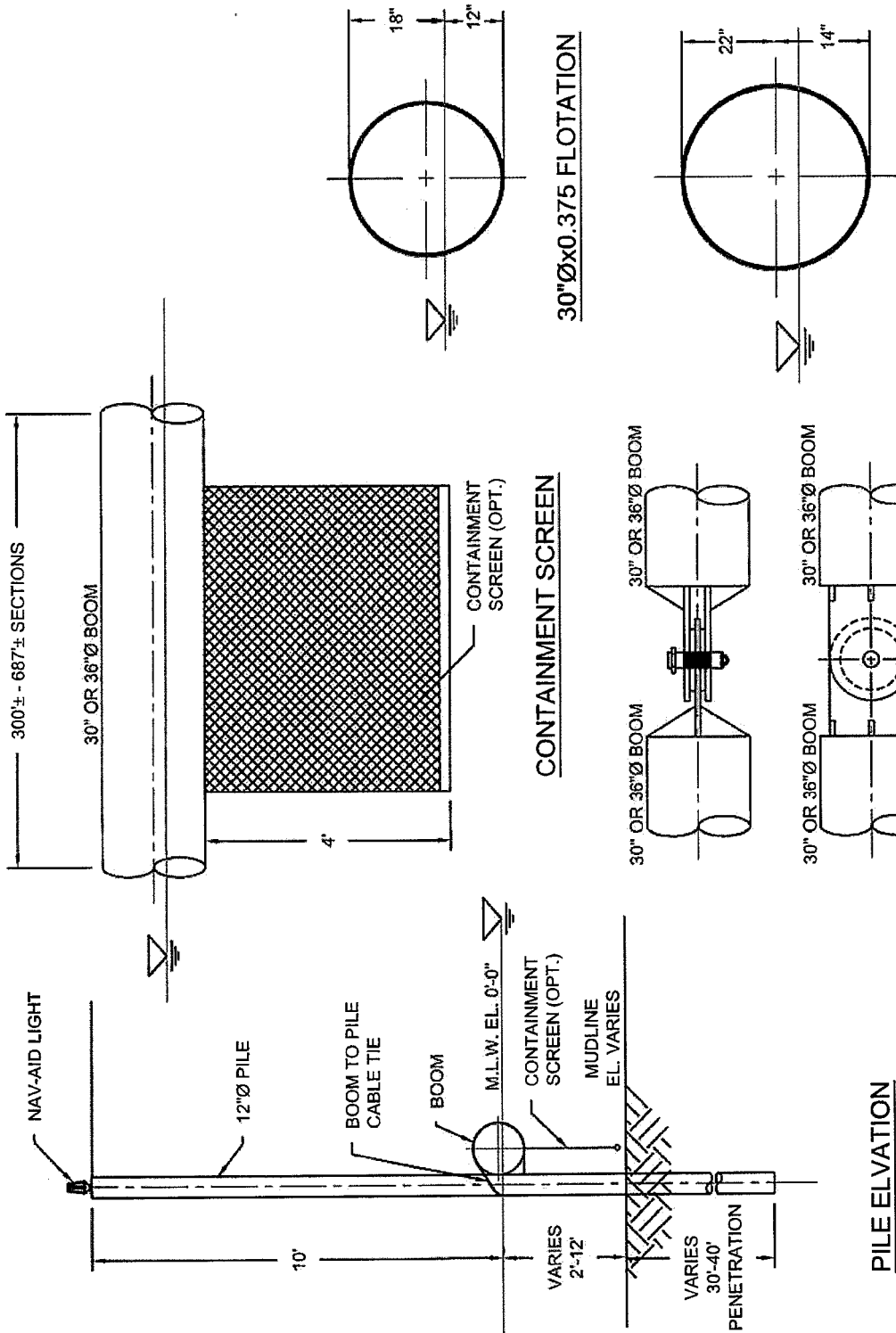
APPROVED BY: KPR

STATE PROJECT NUMBER: N/A


DATE: 25 JUNE 2010

FEDERAL PROJECT NUMBER: N/A

SHEET 2 OF 4



Proprietary - Rigid Pipe Boom  
 © Copyright 2010 - Chet Morrison Contractors, L.L.C.

APPLICATION BY: BP North America	 <b>T. BAKER SMITH</b> <small>PROFESSIONAL CONSULTANTS SINCE 1913</small> <small>(565) 855-1050 www.tbasmith.com</small>	RIGID PIPE BOOM INSTALLATION AT PASS ABEL JEFFERSON & PLAQUEMINES PARISH, LOUISIANA	DETAILS
DRAWN BY: LAB	DESIGNED BY: CMC/TBS	APPROVED BY: KPR	DATE: 22 JUNE 2010 SHEET 3 OF 4
STATE PROJECT NUMBER: N/A		FEDERAL PROJECT NUMBER: N/A	

NOTES:

1. AS-BUILT DRAWINGS WILL BE SUBMITTED WITHIN 30 DAYS OF COMPLETION OF THIS PROJECT TO THE LOUISIANA DEPARTMENT OF NATURAL RESOURCES, OFFICE OF COASTAL MANAGEMENT, P.O. BOX 44487, BATON ROUGE, LA 70804-4487.

2. ALL STRUCTURES, FACILITIES, WELL AND PIPELINES/FLOWLINES OCCURRING IN OPEN WATER AREAS OR IN OILFIELD CANALS OR SLIPS SHALL BE REMOVED WITHIN 120 DAYS OF ABANDONMENT OR THE FACILITIES FOR THE HEREIN PERMITTED USE UNLESS PRIOR WRITTEN APPROVAL TO LEAVE SUCH STRUCTURES IN PLACE IS RECEIVED FROM THE OFFICE OF COASTAL MANAGEMENT. THIS CONDITION DOES NOT PRECLUDE THE NECESSITY FOR REVISING THE CURRENT PERMIT OR OBTAINING A SEPARATE COASTAL USE PERMIT, SHOULD ONE BE REQUIRED.

3. STRUCTURES MUST BE MARKED/LIGHTED IN ACCORDANCE WITH U.S. COAST GUARD REGULATIONS.

4. IN ORDER TO ENSURE THE SAFETY OF ALL PARTIES, THE PERMITTEE SHALL CONTACT THE LOUISIANA ONE CALL SYSTEM (1-800-272-3020) A MINIMUM OF 48 HOURS PRIOR TO THE COMMENCEMENT OF ANY EXCAVATION (DIGGING, DREDGING, JETTING, ETC.) OR DEMOLITION ACTIVITY.

EQUIPMENT LIST

900 HP TUG - DRAFT 7FT

600 HP TUG - DRAFT 6FT

2 BARGES (140 X 45 X 8) - DRAFT 3.5FT

CREWBOAT - DRAFT 2.5FT

NOTES

BP North American  
RIGID PIPE BOOM INSTALLATION  
AT PASS ABEL  
JEFFERSON & PLAQUEMINES PARISH, LOUISIANA



**T. BAKER SMITH**  
PROFESSIONAL CONSULTANTS SINCE 1913  
(985) 868-1050 www.tbsmith.com

STATE PROJECT NUMBER: N/A

DATE: 25JUNE2010

DRAWN BY: KMB

DESIGNED BY: CMC/TBS

APPROVED BY: BJK

FEDERAL PROJECT NUMBER: N/A

SHEET 4 OF 4



**DEPARTMENT OF THE ARMY**  
NEW ORLEANS DISTRICT, CORPS OF ENGINEERS  
P.O. BOX 60267  
NEW ORLEANS, LOUISIANA 70160-0267

REPLY TO  
ATTENTION OF:

Operations Division  
Regulatory Branch

SEP 13 2007

SUBJECT: MVN-1997-4840-CX  
(General Permit)NOD-20

SPECIAL PUBLIC NOTICE

ANNOUNCEMENT OF GENERAL PERMIT TIME EXTENSION  
FOR EMERGENCY OPERATIONS  
WITHIN THE NEW ORLEANS DISTRICT

On March 9, 2007, this district issued a public notice announcing consideration of a time extension to the general permit for emergency operations. All available information and comments were considered in determining that the overall public interest would be best served by issuing the time extension. A copy of the extended general permit for emergency operations is attached.

We have reserved the right to modify, suspend, or revoke this general permit any time we determine it is in the public's interest to do so. Interested parties are invited to submit written comments or suggestions for modifications or improvement of this general permit to the Regulatory Branch of this district at any time.

BY THE AUTHORITY OF THE SECRETARY OF THE ARMY:

A handwritten signature in cursive script that reads "Pete Serio".

Pete J. Serio  
Chief, Regulatory Branch

Attachment



DEPARTMENT OF THE ARMY  
NEW ORLEANS DISTRICT, CORPS OF ENGINEERS  
P.O. BOX 60267  
NEW ORLEANS, LOUISIANA 70160-0267

REPLY TO  
ATTENTION OF:

Operations Division  
Regulatory Branch

SEP 13 2007

SUBJECT: MVN-1997-4840-CX  
(General Permit)NOD-20

GENERAL PERMIT  
EMERGENCY OPERATIONS  
WITHIN THE NEW ORLEANS DISTRICT

Authorization No.: (General Permit)NOD-20  
Initial Effective Date: November 1, 1982  
Expiration Date: October 31, 2012

Under authorization granted by Part 325.8(b) of Title 33, Code of Federal Regulations, the District Commander at New Orleans has granted this general permit for certain emergency operations as described. This permit authorizes work and structures under the following legislation:

- a. Section 10 of the Rivers and Harbors Act of March 3, 1899 (33 USC 403).
- b. Section 404 of the Clean Water Act (33 USC 1344).

This permit does not authorize any work under Section 9 of the Rivers and Harbors Act of March 3, 1899 (33 USC 404) or Section 103 of the Marine Protection, Research and Sanctuaries Act of 1972 (33 USC 1413).

This permit is applicable only within the boundaries of the New Orleans District of the U.S. Army Corps of Engineers.

Work authorized by this general permit is the minimum amount necessary to respond to such emergencies as oil or gas well blowouts, pipeline explosions or ruptures, explosions, fires, oil or hazardous materials spills, and shipwrecks or sinkings of vessels in navigation channels or similar situations which would result in an imminent safety and/or environmental hazard, loss of property, or immediate economic hardship if corrective action requiring a permit is not undertaken within a time period less than the normal time needed to process an application.



Approval to perform work under this general permit does not replace normal permitting approval required under our regulations. Authorization under the general permit is a temporary approval to allow the applicant to perform work under emergency situations. After the emergency situation has been addressed, the applicant must either restore the site to as near pre-project conditions as practical, or must apply for a permit to maintain the work initially authorized under the general permit. Permit applications to maintain work initially authorized under this general permit would be processed in the normal manner to include a public notice, water quality certification from the Louisiana Department of Environmental Quality, and coastal use permit or other approval from the Louisiana Department of Natural Resources, Coastal Management Division, where applicable.

The activities authorized by this general permit include, but are not limited to:

- a. Emergency placement of a drilling rig in open waters to drill a shutoff well.
- b. Emergency dredging and disposal of dredged material for movement of equipment to evacuate personnel, fight fires, shutoff blow-out wells, install and service pollution control equipment, and repair ruptured pipelines.
- c. Emergency dredging and placement of fills to collect and confine oil or hazardous materials.
- d. Emergency dredging and deposition of dredged material to remove or re-float grounded, wrecked, burned out or sunken vessels blocking major navigation channels.
- e. Emergency placement of fills to provide access to a location for placement of drilling rigs to drill shutoff wells.

In addition to the applicable conditions of our standard permit form (copy enclosed), the following conditions apply to this general permit:

- a. Dredging and other activities will be the minimum necessary to meet the emergency.
- b. Restoration is required in accordance with the following:
  - (1) Restoration plans must be submitted to the Regulatory Branch of this district within 30 days of the date when the approval was granted by the New Orleans District for the emergency work under the general permit.
  - (2) The District Commander will consult with appropriate federal, state, and local agencies prior to approval of restoration plans.
  - (3) The restoration work must begin within 30 days of approval of plans or lesser time when so specified by the District Commander or his representative, unless a specific time extension is granted by the New Orleans District.
  - (4) Once begun, restoration work will be diligently prosecuted until completed.

(5) Disturbed wetland areas shall be restored to as near preproject conditions as practicable.

c. In appropriate cases when it may be in the public interest to allow maintenance of structures, fills, or dredged areas installed under this general permit authorization, permittees must apply for and receive a Department of the Army permit. If the permit application is denied, restoration will proceed in accordance with condition b., immediately above.

d. Applications to maintain facilities authorized by this general permit must be submitted within 30 days of the date when the approval was granted by the New Orleans District for the emergency work under the general permit, unless a specific time extension is granted by the New Orleans District. Permit applications will be processed using regular procedures, including a public notice where applicable.

e. Requests to maintain facilities authorized under this general permit must include a completed application form, letter-sized drawings illustrating the location and scope of the work, and be mailed to the Regulatory Branch at the letterhead address above. Applications for work in the Louisiana Coastal Zone must also be sent to the Louisiana Department of Natural Resources, Coastal Management Division.

f. This general permit may be modified, suspended, or revoked by the District Commander any time it is found to be in the public interest to do so.

g. Approval under this general permit does not relieve permittees from obtaining emergency permits or other approvals from any required state or local agency, or the consent of the landowner. For emergency work within the Louisiana Coastal Zone, applicant's must also contact Louisiana Department of Natural Resources, Coastal Management Division (CMD) at (225) 342-7591 for specific approval before performing the emergency work. CMD has a similar emergency general permit, CUP-GP-29.

h. Other conditions may be added in individual approvals for work under this general permit to address site specific conditions or situations.

Procedures to be followed in administering this general permit are as follows:

a. The initial contact may be made in person or by telephone to one of the following numbers.

(1) Regulatory Branch  
(504) 862-2255

(2) Eastern Evaluation Section  
(504) 862-2044

(3) Central evaluation Section  
(504) 862-2276

(4) Western Evaluation Section  
(504) 862-2261

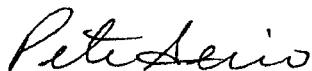
For work within the Louisiana Coastal Zone also contact the Louisiana Department of Natural Resources, Coastal Management Division at (225) 342-7591.

b. Authorization under this general permit may be granted upon initial contact provided the requester can present sufficient information on the location, nature, and extent of the work to establish that the emergency situation exists. Depending on the extent of the emergency, immediate verbal authorization may be granted to perform the work, however, in other cases a written request explaining the emergency, with sketches and maps, may be needed to establish that the project qualifies for approval under the provisions of the emergency general permit.

c. If authorization to proceed is granted at the initial contact, the permittee must supply written documentation of the work to be done within 1 working day of the approval being granted, including necessary maps, drawings, and sketches.

d. Permittees will supply all other information necessary to establish a complete file.

e. Written approval will be granted after all necessary information has been provided.



Pete J. Serio  
Chief, Regulatory Branch

Enclosures

DECISION DOCUMENT FOR EMERGENCY PERMITTING VERIFICATION, NOD-20

ORM Number: MVN 2010-01521 EKK

Applicant: bp America Production Company

Project Location (Waterway, Section, Township, Range, City, County, State): In western Pass Abel, north of Isle Grande Terre, within Jefferson Parish, Louisiana.

Receipt Date: June 25, 2010 Complete: Yes  No

Additional Information Requested Date: no

Application Complete Date: June 25, 2010

Waters of the US: yes

\*see Jurisdictional Determination form(s) dated: n/a

Authority: Section 10  Section 404  Section 103

Project Description (Describe activities in waters of the U.S. authorized by verification): Install approximately 4,796 -feet of rigid pipe booms with containment screens and approximately 650-feet of flexible boom.

Project Purpose: In order to mitigate effects of oil from the MC252 (Deepwater Horizon) oil spill within the region.

Type of Permit Verified: NOD-20

Pre-construction Notification Required: Yes  No

Coordination with Agencies/Tribes: Yes  No  Date: June 25, 2010

Commenting Agencies:

US Fish and Wildlife Service

US Environmental Protection Agency

National Marine Fisheries Service

State Agency  (if checked, list commenting state agencies) LA Dept.

Wildlife and Fisheries, LA Dept. of Environmental Quality, LA Dept. of Natural Resources

State Historic Preservation Office

Other:

Substantive Issues and Corps Resolution: Coordination conducted with all pertinent resource agencies. Special conditions incorporated as part of the emergency authorization.

Compliance with Other Federal Laws (If specific law is not applicable write N/A in the

adjacent text box): N/A

- a) Endangered Species Act: Notification was provided to the US Fish and Wildlife Service (USFWS) and Louisiana Department of Wildlife and Fisheries (LDWF) on June 25, 2010.

Name of species present: N/A

Effects determination: USFWS stated the impact area was surveyed and there were no trust resource issues (i.e., nesting birds or federally listed piping plover habitat) in the project vicinity and had no objection. LDWF had no objection along with comments requesting notification to oyster lease holders, identifying several state rare species and natural communities and recommending time limits for removal of structures.

Date of Service(s) concurrence: USFWS: June 28, 2010 and LDWF: June 25, 2010

Basis for "no effect" determination: N/A

Additional information (optional): USFWS and LDWF will be consulted with during review of the after-the-fact permit application.

- b) Magnuson-Stevens Act (Essential Fish Habitat): Notification was provided to the National Marine Fisheries Service (NMFS) on June 25, 2010. No written comments were received by the end of the comment period and is construed as indicating no objection.

Name of species present: N/A

Effects determination: N/A

Date of Service(s) concurrence: June 28, 2010

Basis for "no effect" determination: N/A

Additional information (optional): NMFS will be consulted with during review of the after-the-fact permit application.

- c) Section 106 of the National Historic Preservation Act:

Known site present:  yes  no

Survey required/conducted:  yes  no

Effects determination:

Rationale:

Date consultation complete (if necessary):

Additional information (optional): A biological opinion will be rendered by the SHPO upon completion of the project and review of the after-the-fact application.

- d) Section 401 Water Quality Certification:

Individual certification required:  yes  no

Issued  waived  denied  .

Additional information (optional): Individual certification requirements will be coordinated during the after-the-fact process.

e) Coastal Zone Management Act:  
Individual certification required:  yes  no  
Issued  waived  denied   
Additional information (optional): Emergency Authorization EUA 10-069  
was issued by the DNR on June 28, 2010.

f) Wild and Scenic Rivers Act:  
Project located on designated or "study" river:  yes  no  
Managing agency:  
Date written determination provided that the project will not adversely affect the  
Wild and Scenic River designation or study status:  
Additional information (optional):

g) Others (Specify):

Special Conditions Required:  yes  no (If yes, provide rationale for each required condition):  
General Conditions of the NOD-20 emergency authorization incorporated into the NOD-20 permit  
instrument, as well as Section 10 conditions, wildlife and other marine organism strandings procedures  
recommended by EPA and a Chitamacha Tribe condition. Specific conditions may be incorporated as  
part of the after-the-fact Individual Permit, pending submittal and processing of the application.

Compensatory Mitigation Required:  yes  no (If yes, provide rationale for compensatory  
mitigation required): A final decision on Compensatory Mitigation will be made upon completion of the  
forthcoming after-the-fact application process.

**Determination:** I have reviewed the proposed project and determined that the work will result in  
minimal individual and cumulative adverse effects on the aquatic environment.

This project complies with all terms and conditions of the NOD-20 including any applicable Regional  
Conditions.

Prepared by: Angie Lacoste Angie Lacoste

Reviewed by: Michael Farabee Michael Farabee

Date: June 28, 2010

## Lacoste, Angie D MVN

---

**From:** Terrell, Brigette F MVN  
**Sent:** Monday, June 28, 2010 9:17 AM  
**To:** Lacoste, Angie D MVN  
**Cc:** Schindler, Paige P MVN  
**Subject:** RE: Emergency Use Authorization for Western Pas Abel

No real estate instrument is required, as it does not affect real estate interests within the jurisdiction of the New Orleans District.

Thanks,

Brigette

-----Original Message-----

**From:** Lacoste, Angie D MVN  
**Sent:** Friday, June 25, 2010 1:09 PM  
**To:** 'kbalkum@wlf.louisiana.gov'; 'richard.hartman@noaa.gov'; 'Patrick.Williams@noaa.gov'; 'Jay.Pecot@LA.GOV'; 'christine.charrier@la.gov'; Walther, David; 'karl.morgan@la.gov'; Schindler, Paige P MVN; 'Ettinger.john@epa.gov'; Terrell, Brigette F MVN; 'Seth\_Bordelon@fws.gov'; 'Jamie Phillippe'; 'Butler, Dave'  
**Cc:** Serio, Pete J MVN; Mayer, Martin S MVN  
**Subject:** Emergency Use Authorization for Western Pas Abel

bp America Production Company is requesting emergency authorization to install a fabricated temporary boom in Pass Abel. This is separate from the EUA-065 and MVN 2010-01478 EKK - NOD 20 that were issued on June 24, 2010. The location of this temporary boom placement is on the western side of the barges that was permitted by Jefferson Parish (EUA-057). This is an effort to keep oil from the interior marshes. The boom will be held in place by piles that are to be vibrated in at staggered 100-foot intervals.

Please review the attached drawings and provide comments by 10:00am, Monday, June 28, 2010. Lack of reply will be construed as no objection.

Angie D. Lacoste  
USACE, Regulatory  
504.862.2281

In order to assist us in improving our service to you, please complete the survey found at <http://per2.nwp.usace.army.mil/survey.html>

## Lacoste, Angie D MVN

---

**From:** Ettinger.John@epamail.epa.gov  
**Sent:** Monday, June 28, 2010 9:43 AM  
**To:** Lacoste, Angie D MVN  
**Cc:** Honker.William@epamail.epa.gov; Watson.Jane@epamail.epa.gov;  
McCormick.Karen@epamail.epa.gov; Parrish.Sharon@epamail.epa.gov; EOC\_Water;  
Keehner.Denise@epamail.epa.gov; Evans.David@epamail.epa.gov;  
Miller.Clay@epamail.epa.gov; Landers.Timothy@epamail.epa.gov;  
Croll.Brittany@epamail.epa.gov; Keeler.Barbara@epamail.epa.gov; EOC\_Water  
**Subject:** Re: Emergency Use Authorization for Western Pas Abel

Angie,

Following are EPA's comments on this matter.

The applicant, BP, proposed to install a fabricated temporary boom in Pass Abel. This is separate from the EUA-065 and MVN 2010-01478 EKK - NOD 20 that were issued on June 24, 2010. The location of this temporary boom placement is on the western side of the barges that was permitted by Jefferson Parish (EUA-057). This is an effort to keep oil from the interior marshes. The boom will be held in place by piles that are to be vibrated in at staggered 100-foot intervals.

Recommendation: From an environmental standpoint, we would suggest any authorization include the following conditions and/or comments:

- 1) Pilings and associated booms and containment screens should be considered temporary structures and removed in their entirety upon conclusion of spill clean-up efforts, or after a period of no more than 12 months, whichever is less. Should pilings and associated hard booms continue to be needed to arrest shoreward movement of oil for more than 12 months, authorization may be extended provided the applicant re-initiates review and coordination by the Corps of Engineers and other appropriate Federal and State resource agencies.
- 2) It would be our recommendation that as oil is collected by the booms and containment screens, appropriate equipment and technology, e.g., skimmer boats, should be used to quickly remove this oil at a frequency necessary to prevent potential migration of oil from storm events. Cleaning of the booms and containment screens should not take place in environmentally sensitive areas.
- 3) Potential impacts of the pilings and associated booms and containment screens on fish and wildlife passage including sea turtles and other fisheries should be coordinated with the U.S. Fish & Wildlife Service and National Marine Fisheries Service prior to their deployment. Wildlife or other marine organism strandings are to be reported immediately to the appropriate State and Federal resource agencies.
- 4) Boom and containment screens should be maintained in good, working condition throughout the duration of their deployment. Should repairs need to be made (e.g., retrieval and disposal of boom material that gets loose and washes into intertidal areas), they should be conducted in a manner that minimizes damage to seagrass beds, tidal flats, and wetlands.
- 5) Pilings and associated boom and containment screen structures should be identified by appropriate signage and lighting, per U.S. Coast Guard specifications.
- 6) The booms should be aligned to avoid and minimize impacts to any existing wetlands, shrimp and/or fishery nursery areas, sea grass beds, oyster reefs, fishery concentration areas, rookeries, and turtle nesting areas in the vicinity of the projects.



7) Within 30 days of the removal of the permitted booms, the permittee shall submit a report to the Corps documenting any deviation from the permitted boom deployment plan. In addition, the report should document for each boom deployment location, the total number of linear feet of deployed booms that were fouled with oil residue. The report shall also provide a narrative documenting both how and where the booms were disposed. Finally, the report should provide a qualitative assessment concerning the effectiveness of the permitted booms in protecting the targeted estuarine areas.

----- Original Message -----

From: "Lacoste, Angie D MVN" [Angie.D.Lacoste@usace.army.mil]

Sent: 06/25/2010 01:09 PM EST

To: "kbalkum@wlf.louisiana.gov" <'kbalkum@wlf.louisiana.gov'>; "richard.hartman@noaa.gov" <'richard.hartman@noaa.gov'>; "Patrick.Williams@noaa.gov" <'Patrick.Williams@noaa.gov'>; "Jay.Pecot@LA.GOV" <'Jay.Pecot@LA.GOV'>; "christine.charrier@la.gov" <'christine.charrier@la.gov'>; "Walther, David" <david\_walther@fws.gov>; "karl.morgan@la.gov" <'karl.morgan@la.gov'>; "Schindler, Paige P MVN" <Paige.P.Schindler@usace.army.mil>; "Ettinger.john@epa.gov" <'Ettinger.john@epa.gov'>; "Terrell, Brigitte F MVN" <Brigitte.F.Terrell@usace.army.mil>; "Seth\_Bordelon@fws.gov" <'Seth\_Bordelon@fws.gov'>; "Jamie Phillippe" <Jamie.Phillippe@LA.GOV>; "Butler, Dave" <dbutler@wlf.la.gov>  
Cc: "Serio, Pete J MVN" <Pete.J.Serio@usace.army.mil>; "Mayer, Martin S MVN" <Martin.S.Mayer@usace.army.mil>  
Subject: Emergency Use Authorization for Western Pas Abel

bp America Production Company is requesting emergency authorization to install a fabricated temporary boom in Pass Abel. This is separate from the EUA-065 and MVN 2010-01478 EKK - NOD 20 that were issued on June 24, 2010. The location of this temporary boom placement is on the western side of the barges that was permitted by Jefferson Parish (EUA-057). This is an effort to keep oil from the interior marshes. The boom will be held in place by piles that are to be vibrated in at staggered 100-foot intervals.

Please review the attached drawings and provide comments by 10:00am, Monday, June 28, 2010. Lack of reply will be construed as no objection.

Angie D. Lacoste  
USACE, Regulatory  
504.862.2281

In order to assist us in improving our service to you, please complete the survey found at <http://per2.nwp.usace.army.mil/survey.html>

**Lacoste, Angie D MVN**

---

**From:** Patti\_Holland@fws.gov  
**Sent:** Monday, June 28, 2010 9:06 AM  
**To:** Lacoste, Angie D MVN  
**Cc:** kbalkum@wlf.louisiana.gov; richard.hartman@noaa.gov; Patrick.Williams@noaa.gov; Jay.Pecot@LA.GOV; christine.charrier@la.gov; Walther, David; karl.morgan@la.gov; Schindler, Paige P MVN; Ettinger.john@epa.gov; Terrell, Brigitte F MVN; Seth\_Bordelon@fws.gov; Jamie Phillippe; Butler, Dave  
**Subject:** Fw: Emergency Use Authorization for Western Pas Abel  
**Attachments:** pic20055.gif; Western Pass Abel Boom Placement.pdf; ecblank.gif

Angie,

The Fish and Wildlife Service (Service) has reviewed the subject emergency permit request and offers the following comments:

Service personnel surveyed the impact area on 6/25/2010, and there were no trust resource issues (i.e., nesting birds or federally listed piping plover habitat) in the project vicinity. Therefore, we have no objection to the proposed work.

Thank you for the opportunity to provide these comments

Patti

Patti Holland  
[REDACTED]

U.S. Fish and Wildlife Service  
646 Cajundome Blvd., Ste. 400  
Lafayette, La 70506

----- Forwarded by Patti Holland/R4/FWS/DOI on 06/28/2010 08:59 AM -----

David Walther/R4/FWS/DOI

06/25/2010 01:51 PM

To

Patti Holland/R4/FWS/DOI, Brad Rieck/R4/FWS/DOI@FWS

Cc

Subject

Fw: Emergency Use Authorization for Western Pas Abel

Per their email comments are due 10 am Monday

David Walther  
US Fish and Wildlife Service  
Lafayette, LA

----- Forwarded by David Walther/R4/FWS/DOI on 06/25/2010 01:50 PM -----

"Lacoste, Angie D MVN" <[Angie.D.Lacoste@usace.army.mil](mailto:Angie.D.Lacoste@usace.army.mil)>

06/25/2010 01:09 PM

To

"[kbalkum@wlf.louisiana.gov](mailto:kbalkum@wlf.louisiana.gov)" <'kbalkum@wlf.louisiana.gov'>, "[richard.hartman@noaa.gov](mailto:richard.hartman@noaa.gov)" <'richard.hartman@noaa.gov'>, "[Patrick.Williams@noaa.gov](mailto:Patrick.Williams@noaa.gov)" <'Patrick.Williams@noaa.gov'>, "[Jay.Pecot@LA.GOV](mailto:Jay.Pecot@LA.GOV)" <'Jay.Pecot@LA.GOV'>, "[christine.charrier@la.gov](mailto:christine.charrier@la.gov)" <'christine.charrier@la.gov'>, "Walther, David" <[david.walther@fws.gov](mailto:david.walther@fws.gov)>, "[karl.morgan@la.gov](mailto:karl.morgan@la.gov)" <'karl.morgan@la.gov'>, "Schindler, Paige P MVN" <[Paige.P.Schindler@usace.army.mil](mailto:Paige.P.Schindler@usace.army.mil)>, "[Ettinger.john@epa.gov](mailto:Ettinger.john@epa.gov)" <'Ettinger.john@epa.gov'>, "Terrell, Brigitte F MVN" <[Brigitte.F.Terrell@usace.army.mil](mailto:Brigitte.F.Terrell@usace.army.mil)>, "[Seth.Bordelon@fws.gov](mailto:Seth.Bordelon@fws.gov)" <'Seth.Bordelon@fws.gov'>, "Jamie Phillippe" <[Jamie.Phillippe@LA.GOV](mailto:Jamie.Phillippe@LA.GOV)>, "Butler, Dave" <[dbutler@wlf.la.gov](mailto:dbutler@wlf.la.gov)>

cc

"Serio, Pete J MVN" <[Pete.J.Serio@usace.army.mil](mailto:Pete.J.Serio@usace.army.mil)>, "Mayer, Martin S MVN" <[Martin.S.Mayer@usace.army.mil](mailto:Martin.S.Mayer@usace.army.mil)>

Subject

Emergency Use Authorization for Western Pas Abel

bp America Production Company is requesting emergency authorization to install a fabricated temporary boom in Pass Abel. This is separate from the EUA-065 and MVN 2010-01478 EKK - NOD 20 that were issued on June 24, 2010. The location of this temporary boom placement is on the western side of the barges that was permitted by Jefferson Parish (EUA-057). This is an effort to keep oil from the interior marshes. The boom will be held in place by piles that are to be vibrated in at staggered 100-foot intervals.

Please review the attached drawings and provide comments by 10:00am, Monday, June 28, 2010. Lack of reply will be construed as no objection.

Angie D. Lacoste  
USACE, Regulatory  
504.862.2281

In order to assist us in improving our service to you, please complete the survey found at <http://per2.nwp.usace.army.mil/survey.html>

(See attached file: Western Pass Abel Boom Placement.pdf)



BOBBY JINDAL  
GOVERNOR

# State of Louisiana

ROBERT J. BARHAM  
SECRETARY

DEPARTMENT OF WILDLIFE AND FISHERIES  
OFFICE OF WILDLIFE

JIMMY L. ANTHONY  
ASSISTANT SECRETARY

June 25, 2010

Mr. Pete J. Serio, Chief  
Regulatory Branch, United States Army Corps of Engineers  
P. O. Box 60267  
New Orleans, LA 70160-0267

RE: *Emergency Use Authorization for Western Pass Abel*  
*Applicant: BP America Production Company*  
*Notice Date: June 25, 2010*

Dear Mr. Serio:

The professional staff of the Louisiana Department of Wildlife and Fisheries (LDWF) has reviewed the emergency activity referenced above. Based upon this review, the following has been determined:

LDWF has no objection to the issuance of an emergency use authorization for the proposed activity, provided that the applicant notify the lease holder of each oyster lease that is within 500 feet of the proposed activity.

A review of the Louisiana Natural Heritage Database indicates that several state rare species and natural communities are known to occur in the area. These species and communities include sea grass beds, coastal mangroves, manatees, diamondback terrapin, sea turtles and wading birds.

All structures shall be removed upon the determination by State and Federal regulatory authorities that there is no longer a significant risk of contamination from the BP Horizon Oil spill to lands in this project area or within two (2) years from the date of this permit, whichever comes first, unless specifically directed to handle otherwise by the ATF permit for this activity.

The Louisiana Department of Wildlife and Fisheries appreciates the opportunity to review and provide recommendations to you regarding this proposed activity. Please do not hesitate to contact Habitat Section biologist Chris Davis at [REDACTED] should you need further assistance.

Sincerely,

Jimmy Anthony  
Assistant Secretary

Page 2

Application Number: Emergency Use Authorization for Western Pass Abel  
June 25, 2010

cd/cm/rb

c: Chris Davis, Biologist  
Carolyn Michon, Biologist  
Robert Bourgeois, Biologist

## Lacoste, Angie D MVN

---

**From:** Jamie Phillippe [Jamie.Phillippe@LA.GOV]  
**Sent:** Monday, June 28, 2010 9:19 AM  
**To:** Lacoste, Angie D MVN  
**Cc:** Chris Piehler; Dwight Bradshaw; Jeff Dauzat; Cheryl Nolan; Melvin "Mitch" Mitchell; Tom Killeen; Ronnie Bean; Sanford Phillips; Betty Brousseau; Rodney.Mallett@lagov; \_DEQ-BP  
**Subject:** RE: Emergency Use Authorization for Western Pas Abel

Angie,

DEQ has no objection to this project and would like to offer assistance in boom placement and management to the sponsors of this project to maximize the effectiveness of their spill response.

Thanks,  
Jamie Phillippe  
Louisiana Department of Environmental Quality  
401 Water Quality Certifications

---

**From:** Lacoste, Angie D MVN [Angie.D.Lacoste@usace.army.mil]  
**Sent:** Friday, June 25, 2010 1:09 PM  
**To:** kbalkum@wlf.louisiana.gov; richard.hartman@noaa.gov; Patrick.Williams@noaa.gov; Jay.Pecot@LA.GOV; christine.charrier@la.gov; Walther, David; karl.morgan@la.gov; Schindler, Paige P MVN; Ettinger.john@epa.gov; Terrell, Brigette F MVN; Seth\_Bordelon@fws.gov; Jamie Phillippe; Butler, Dave  
**Cc:** Serio, Pete J MVN; Mayer, Martin S MVN  
**Subject:** Emergency Use Authorization for Western Pas Abel

bp America Production Company is requesting emergency authorization to install a fabricated temporary boom in Pass Abel. This is separate from the EUA-065 and MVN 2010-01478 EKK - NOD 20 that were issued on June 24, 2010. The location of this temporary boom placement is on the western side of the barges that was permitted by Jefferson Parish (EUA-057). This is an effort to keep oil from the interior marshes. The boom will be held in place by piles that are to be vibrated in at staggered 100-foot intervals.

Please review the attached drawings and provide comments by 10:00am, Monday, June 28, 2010. Lack of reply will be construed as no objection.

Angie D. Lacoste  
USACE, Regulatory  
504.862.2281

In order to assist us in improving our service to you, please complete the survey found at <http://per2.nwp.usace.army.mil/survey.html>

BOBBY JINDAL  
GOVERNOR



ROBERT D. HARPER  
SECRETARY

State of Louisiana  
DEPARTMENT OF NATURAL RESOURCES  
OFFICE OF COASTAL MANAGEMENT

June 28, 2010

CERTIFIED MAIL  
NO. 00-8257-6116

T. Baker Smith, Inc.  
1100 South Acadia Rd.  
Thibodaux, LA 70301  
Attn: Evelyn Harris

**RE: EUA 10-069**

**BP Oil Company**

**Description:** Proposed temporary installation of approximately 4,796' of 30"-36" rigid pipe booms with containment screens and 650' of flexible boom in effort to keep oil from the interior marshes. Rigid pipe booms will be attached to the west side of EUA-057 barge installation permitted by Jefferson Parish and flexible boom will be anchored on the Isle Grande Terre side. Rigid pipe boom will be anchored using vibrated in 12" piles at 100' intervals. Depth of piling installation will be approximately 30-40' and will be marked/lighted in accordance with USCG regulations. A single pile will be installed on either side of the current outlet device approximately 700' in width. The proposed project will avoid installation of piles near the Plains All American 12" BOA Main and Loop pipeline crossings. The pipeline company has been notified and all precautions will be taken to not interfere with the integrity of the pipeline. No dredging for access required.

**Location:** POB (A): Lat. 29° 18' 18.15" N; Long. 89° 55' 01.47"; POE (B): Lat. 29° 17' 34.36" N; Long. 89° 55' 11.64"; Pass Abel, located between East Grande Terre and Isle Grande Terre.

**Plaquemines Parish, LA**

Dear Ms. Evelyn:

We have reviewed the information presented to the Office of Coastal Management (OCM) in your Emergency Use Authorization request dated June 22, 2010. Pursuant to the provisions contained in the LAC (Title 43, Part I, Chapter 7 §723.B.3.), the Emergency Use Authorization request is hereby granted. This Emergency Use Authorization provides only for that work necessary to complete the proposed project described above and is contingent upon acceptance of the following conditions:

Post Office Box 44487 • Baton Rouge, Louisiana 70804-4487  
617 North Third Street • 10th Floor • Suite 1078 • Baton Rouge, Louisiana 70802  
(225) 342-7591 • Fax (225) 342-9439 • <http://www.dnr.louisiana.gov>  
An Equal Opportunity Employer



1. The Environmental Protection Agency has provided the following conditions:
  - a) Pilings and associated booms and containment screens should be considered temporary structures and removed in their entirety upon conclusion of spill clean-up efforts, or after a period of no more than 12 months, whichever is less. Should pilings and associated hard booms continue to be needed to arrest shoreward movement of oil for more than 12 months, authorization may be extended provided the applicant re-initiates review and coordination by State and Federal resource agencies.
  - b) It would be our recommendation that as oil is collected by the booms and containment screens, appropriate equipment and technology, e.g., skimmer boats, should be used to quickly remove this oil at a frequency necessary to prevent potential migration of oil from storm events. Cleaning of the booms and containment screens should not take place in environmentally sensitive areas.
  - c) Potential impacts of the pilings and associated booms and containment screens on fish and wildlife passage including sea turtles and other fisheries should be coordinated with the U.S. Fish & Wildlife Service and National Marine Fisheries Service prior to their deployment. Stranded wildlife or other marine organisms are to be reported immediately to the appropriate State and Federal resource agencies.
  - d) Boom and containment screens should be maintained in good, working condition throughout the duration of their deployment. Should repairs need to be made (e.g., retrieval and disposal of boom material that gets loose and washes into intertidal areas), they should be conducted in a manner that minimizes damage to sea grass beds, tidal flats, and wetlands.
  - e) Pilings and associated boom and containment screen structures should be identified by appropriate signage and lighting, per U.S. Coast Guard specifications.
  - f) The booms should be aligned to avoid and minimize impacts to any existing wetlands, shrimp and/or fishery nursery areas, sea grass beds, oyster reefs, fishery concentration areas, rookeries, and turtle nesting areas in the vicinity of the projects.
  - g) Within 30 days of the removal of the permitted booms, the permittee shall submit a report to the Corps documenting any deviation from the permitted boom deployment plan. In addition, the report should document for each boom deployment location, the total number of linear feet of deployed booms that were fouled with oil residue. The report shall also provide a narrative documenting both how and where the booms were disposed. Finally, the report should provide a

qualitative assessment concerning the effectiveness of the permitted booms in protecting the targeted estuarine areas.

2. The following recommendations have been provided by Louisiana Department of Wildlife and Fisheries:
  - a) Ecological Studies requests that the applicant notify each oyster lease holder affected within 500 feet of the proposed activity prior to commencement of the proposed activity.
  - b) A review of the Louisiana Natural Heritage Database indicates that several state rare species and natural communities are known to occur in the area. These species and communities include sea grass beds, coastal mangroves, manatees, diamondback terrapin, sea turtles and wading birds.
  - c) The Fisheries Division has requested that all structures be marked/lighted in accordance with U.S. Coast Guard regulations. These markers/lights and all structures installed under this emergency permit, if required, must be monitored and maintained until such time as all potential hazards to navigation are removed. All structures shall be removed upon the determination by State and Federal regulatory authorities that there is no longer a significant risk of contamination from the BP Horizon Oil spill to lands in this project area unless specifically directed to handle otherwise by the after-the-fact permit for this activity.
3. No dredging for access and no tracking on Isle Grande Terre allowed.
4. Efforts should be made to locate the tie-in in a location and manner that will prevent causing excessive erosion to the island. The permittee should monitor the tie-in location on a frequent basis to determine if the pipe boom is having any detrimental effects to the island at which point modifications should be made to the tie-in or its location to prevent any further damage. The permittee shall be responsible for the removal of structures should adverse affects upon the ecosystem in the project area warrant removal of all or part of the project.
5. Permittee agrees to coordinate the placement of booms with Jefferson Parish Government in the construction of the rock jetty authorized under EUA 10-050. Permittee also agrees that at such time it is determined that boom placement interferes with the construction of the previously authorized rock jetty, permittee agrees to remove those structures at the permittee's own expense.

6. This Emergency Use Authorization is strictly limited to the activity as described in your request and accompanying plats.
7. The applicant agrees, by virtue of the commencement of authorized activities, to submit to OCM, a complete application packet (\$100 application fee, Joint Application Form, vicinity plats, plan plats, cross section plats, etc.) for the activity not more than thirty (30) days from the date of this authorization. You may obtain a free application packet by calling our office at (225) 342-7591 or (800)-267-4019; or by visiting our website at <http://www.dnr.state.la.us/crm/coastmgt/cup/cup.asp>.
8. The applicant agrees, by virtue of the commencement of authorized activities, to avoid to the maximum extent practicable, vegetated wetland impacts, and if necessary to mitigate for those unavoidable adverse impacts to vegetated wetlands, including submerged aquatics, should OCM determine that mitigation is necessary. Should OCM deem mitigation to be necessary, the applicant agrees, by virtue of the commencement of authorized activities, to submit and fulfill a mitigation plan that has been approved by OCM.
9. The applicant agrees, by virtue of the commencement of authorized activities, to adjust, alter, or remove any structure or other evidence of the authorized emergency use if, in the sole opinion of OCM, it proves to be beyond the scope of the authorized activity or has been abandoned.
10. That applicant shall insure that all sanitary sewage and/or related domestic wastes generated during the subject project activity and at the site, thereafter, as may become necessary shall receive the equivalent of secondary treatment (30 mg/l BOD5) with disinfection prior to discharge into any of the streams or adjacent waters of the area or, in the case of total containment, shall be disposed of in approved sewerage and sewage treatment facilities, as is required by the State Sanitary Code. Such opinion as may be served by those comments offered herein shall not be construed to suffice as any more formal approval(s) which may be required of possible sanitary details (i.e. provisions) scheduled to be associated with the subject activity. Such shall generally require that appropriate plans and specifications be submitted to the Department of Health and Hospitals for purpose of review and approval prior to any utilization of such provisions.
11. Applicant shall comply with all applicable state laws regarding the need to contact the Louisiana One Call (LOC) system (1-800-272-3020) to locate any buried cables and pipelines. There are numerous pipelines in the vicinity and pipeline companies should be notified prior to commencement of project activities.

12. The area where the project is located is all part of the aboriginal homelands of the Chitimacha Tribe of Louisiana. As such, large villages, burial sites, and sacred sites were in place in that entire area. If at any time during the course of the work, any traditional cultural properties are discovered, applicant shall immediately contact Kimberly S. Walden (Cultural Director) or Melanie Aymond (Research Coordinator) at [REDACTED] or [REDACTED]. Office hours are Monday through Thursday from 7:30 A.M. - 5:00 P.M. and on Friday between 7:30 A.M. - 11:30 A.M. If traditional cultural properties are discovered on the weekend or after business hours, the notification shall be made the next business morning.
13. As-built drawings shall be submitted within 30 days of completion of this project to the Louisiana Department of Natural Resources, Office of Coastal Management, PO Box 44487, Baton Rouge, LA 70804-4487.
14. The applicant agrees, by virtue of the commencement of authorized activities, to hold and save the State of Louisiana, the Department of Natural Resources (DNR), and their officers and employees harmless from any damage to persons or property which might result from the emergency use.
15. The applicant agrees, by virtue of the commencement of authorized activities, to certify that the emergency use has been completed in an acceptable and satisfactory manner and in accordance with the plans and specifications approved by OCM as referenced herein. OCM may, when it deems appropriate, require that such certification be given by a registered engineer.
16. The applicant agrees, by virtue of the commencement of authorized activities, to ensure that this Emergency Use Authorization, or a copy thereof, shall be available for inspection at the work site at all times during operations.
17. The applicant agrees, by virtue of the commencement of authorized activities, to notify OCM of the date on which initiation of the authorized emergency activity began. The applicant shall notify OCM by mailing the enclosed green initiation card on the date of initiation of the authorized activities.
18. The applicant agrees, by virtue of the commencement of authorized activities, to ensure that the authorized activity does not result in the blockage of any natural or manmade streams or sloughs. A follow-up investigation of the authorized work will be conducted by employees of OCM to determine compliance with this condition.

Emergency Use Authorization 10-069  
BP Oil Company  
June 28, 2010  
Page 6

19. Unless otherwise specified, this Emergency Use Authorization will expire 30 days from the date of this letter, if the work has not been initiated or if the applicant has not submitted a complete Coastal Use Permit Application to OCM for the authorized activity. This expiration condition will be waived only if the applicant notifies OCM of the reason(s) for the delay and proposes an acceptable schedule for initiation of the work, or submits a complete Coastal Use Permit Application.
20. This authorization is not valid unless the applicant agrees to the terms and conditions provided for herein by executing in the space provided below.

Should you have any questions or need additional help, please feel free to contact Christine Charrier, Permits Program Manager, at [REDACTED].

Sincerely,



Karl Morgan,  
Acting Administrator

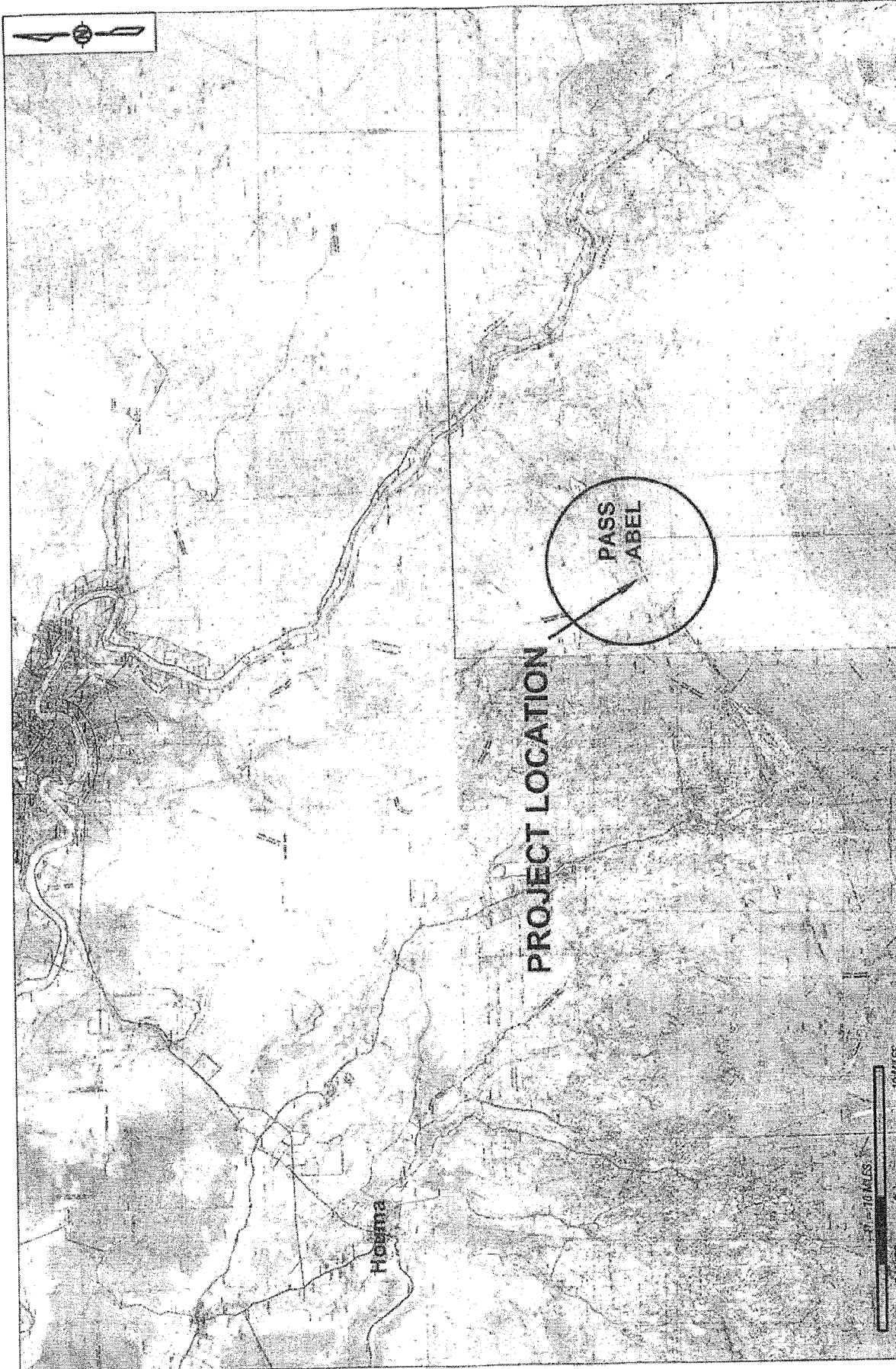
AGREED TO AND ACCEPTED this \_\_\_\_\_ day of \_\_\_\_\_, 200\_\_\_\_\_

by \_\_\_\_\_  
(applicant signature)

KM/sm

Attachments (green card and plats)

CC: BP Oil Company, Artie Myers w/plats  
Pete Serio, COE w/plats  
David Butler, LDWF w/plats  
Chuck Spears, OCM/SS w/plats  
Frank Cole, OCM/FI w/plats  
Albertine Kimble, Plaquemines Parish w/plats



PROJECT LOCATION

PASS ABEL



APPLICATION BY:  
BP North America

EWA 10-069

DRAWN BY: KMB

6-28-10

*don*



Chet Morrison  
CONSULTING

DESIGNED BY: CMCTBS



**T. BAKER SMITH**  
PROFESSIONAL CONSULTANTS SINCE 1913  
(504) 683-1300 www.tbbsmith.com

APPROVED BY: KPR

RIGID PIPE BOOM INSTALLATION AT PASS ABEL  
JEFFERSON & PLACEMINES PARISH, LOUISIANA

STATE PROJECT NUMBER: N/A

FEDERAL PROJECT NUMBER: N/A

VICINITY MAP

DATE: 25 JUNE 2010

SHEET 1 OF 4



Pass Abel

PLAQUEMINES PARISH  
JEFFERSON PARISH

CURRENTLY INSTALLED BARGES

Isle Grande Terre

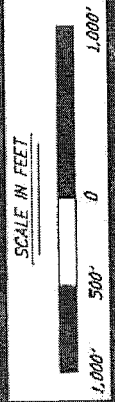
4,000' RADIUS

RIGID PIPE BOOM  
4,796' TOTAL LENGTH  
30"-36"x2' PIPE

SINGLE PILE FOR  
CURRENT OUTLET  
DEVICE

SINGLE PILE FOR  
CURRENT OUTLET  
DEVICE

650' TOTAL LENGTH  
FLEXIBLE BOOM



RIGID PIPE BOOM ALIGNMENT			
Pi	Easting	Northing	Longitude
A	3732235.95'	285559.58'	W89° 55' 01.47"
B	3731390.29'	291125.22'	W89° 55' 11.64"
			Latitude
			N23° 18' 18.15"
			N29° 17' 34.38"

**T.B. BAKER SMITH**  
PROFESSIONAL CONSULTANTS SINCE 1943  
12551 BEECHCREST  
www.tbbsmith.com



**Chief Morrison**  
CONSULTANTS

APPROVED BY: KPR

DESIGNED BY: CHC/TBS

APPLICATION BY:  
BP North America

EWA 10-069

DRAWN BY: KMB

6-28-10

*Handwritten signature*

PLAN VIEW

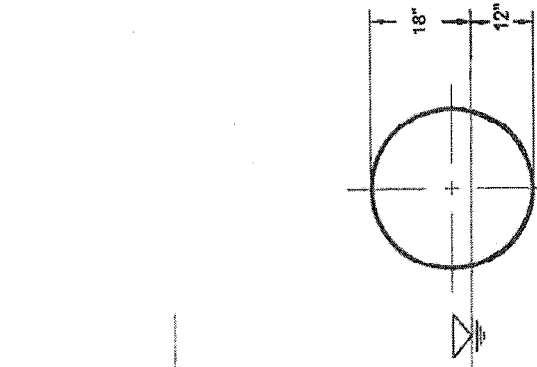
RIGID PIPE BOOM INSTALLATION AT PASS ABEL  
JEFFERSON & PLAQUEMINES PARISH, LOUISIANA

DATE: 25 JUNE 2010

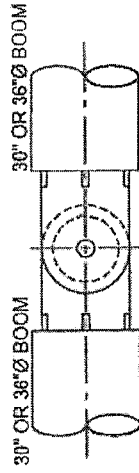
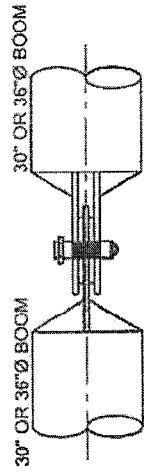
STATE PROJECT NUMBER: N/A

SHEET 2 OF 4

FEDERAL PROJECT NUMBER: N/A

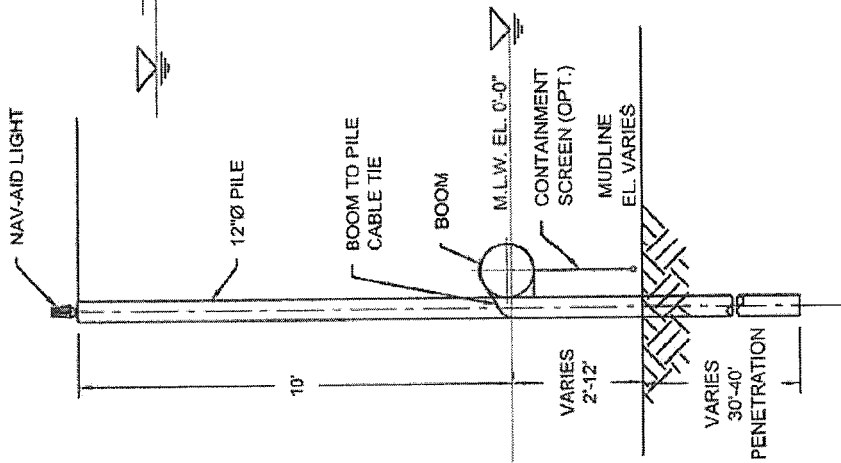


30" Ø x 0.375 FLOTATION





36" Ø x 0.375 FLOTATION

BOOM CONNECTION PLAN



PILE ELEVATION

Proprietary - Rigid Pipe Boom  
© Copyright 2010 - Chet Morrison Contractors, L.L.C.

APPLICATION BY: BP North America <b>EUA 10-065</b>	 <b>T. BAKER SMITH</b> <small>PROFESSIONAL CONSULTANT SINCE 1971</small> <small>PHYS 888-7656 www.tbssm.com</small>  <b>Chet Morrison</b> <small>CONTRACTORS</small>	RIGID PIPE BOOM INSTALLATION AT PASS ABEL JEFFERSON & PLAQUEMINES PARISH, LOUISIANA STATE PROJECT NUMBER: N/A FEDERAL PROJECT NUMBER: N/A	DETAILS DATE: 22 JUNE 2010 SHEET 3 OF 4
DRAWN BY: LAB <b>6-28-10</b>	DESIGNED BY: CMC/TBS APPROVED BY: KPR		



NOTES:

1. AS-BUILT DRAWINGS WILL BE SUBMITTED WITHIN 30 DAYS OF COMPLETION OF THIS PROJECT TO THE LOUISIANA DEPARTMENT OF NATURAL RESOURCES, OFFICE OF COASTAL MANAGEMENT, P.O. BOX 44487, BATON ROUGE, LA 70804-4487.

2. ALL STRUCTURES, FACILITIES, WELL AND PIPELINES/FLOWLINES OCCURRING IN OPEN WATER AREAS OR IN OILFIELD CANALS OR SLIPS SHALL BE REMOVED WITHIN 120 DAYS OF ABANDONMENT OR THE FACILITIES FOR THE HEREIN PERMITTED USE UNLESS PRIOR WRITTEN APPROVAL TO LEAVE SUCH STRUCTURES IN PLACE IS RECEIVED FROM THE OFFICE OF COASTAL MANAGEMENT. THIS CONDITION DOES NOT PRECLUDE THE NECESSITY FOR REVISING THE CURRENT PERMIT OR OBTAINING A SEPARATE COASTAL USE PERMIT, SHOULD ONE BE REQUIRED.

3. STRUCTURES MUST BE MARKED/LIGHTED IN ACCORDANCE WITH U.S. COAST GUARD REGULATIONS.

4. IN ORDER TO ENSURE THE SAFETY OF ALL PARTIES, THE PERMITTEE SHALL CONTACT THE LOUISIANA ONE CALL SYSTEM (1-800-272-3020) A MINIMUM OF 48 HOURS PRIOR TO THE COMMENCEMENT OF ANY EXCAVATION (DIGGING, DREDGING, JETTING, ETC.) OR DEMOLITION ACTIVITY.

EQUIPMENT LIST

900 HP TUG - DRAFT 7FT

600 HP TUG - DRAFT 6FT

2 BARGES (140 X 45 X 8) - DRAFT 3.5FT

CREWBOAT - DRAFT 2.5FT

NOTES

BP North American  
RIGID PIPE BOOM INSTALLATION  
AT PASS ABEL  
JEFFERSON & PLAQUEMINES PARISH, LOUISIANA



**T. BAKER SMITH**  
PROFESSIONAL CONSULTANTS SINCE 1911  
(504) 885-1000 www.tbasmith.com

EUA 10-069 6-28-10  
*JM*

STATE PROJECT NUMBER: N/A

DATE: 25JUNE2010

DRAWN BY: KMD

DESIGNED BY: CMC/TBS

APPROVED BY: BJK

FEDERAL PROJECT NUMBER: N/A

SHEET 4 OF 4

## Lacoste, Angie D MVN

---

**From:** Evelyn S. Harris [Evelyn.Harris@tbsmith.com]  
**Sent:** Monday, June 28, 2010 10:30 AM  
**To:** Lacoste, Angie D MVN  
**Subject:** RE: Request for Info

The booms are strictly a temporary measure and will be moved as the rock placement reaches that section of boom. They are to work in conjunction not independently.

The contractor, Chet Morrison Constructors, is coordinating with Mr. Malbrough, Shaw Group, who is installing the rock and will have the booms removed as needed for the rock placement to take place.

If you need more info, please let me know.

Thanks,  
Evelyn

Evelyn S. Harris

Project Controller

T. BAKER SMITH, INC.

Direct Line: [REDACTED]

Main Line: [REDACTED]

Cell Phone: [REDACTED]

Toll Free: [REDACTED]

Fax: [REDACTED]

Webpage: [www.tbsmith.com](http://www.tbsmith.com)

-----Original Message-----

**From:** Lacoste, Angie D MVN [mailto:Angie.D.Lacoste@usace.army.mil]  
**Sent:** Monday, June 28, 2010 10:22 AM  
**To:** Evelyn S. Harris  
**Subject:** Request for Info

These are the most up to date plans for Jefferson Parish's rock placement. Due to the controversy of the oil spill, I would like a explanation of how the booms and rock placement will work in conjunction with each other.

Angie D. Lacoste

USACE, Regulatory  
504.862.2281

In order to assist us in improving our service to you, please complete the survey found at  
<http://per2.nwp.usace.army.mil/survey.html>

**Marino, Melissa L MVN**

MVN 2010-01521 EKK

**From:** Farabee, Michael V MVN  
**Sent:** Friday, June 25, 2010 12:47 PM  
**To:** Lacoste, Angie D MVN; Marino, Melissa L MVN  
**Cc:** Serio, Pete J MVN  
**Subject:** FW: Emergency Use Authorization for Western Pas Abel  
**Attachments:** Western Pass Abel Boom Placement.pdf

Melissa: one more for a Friday:

Angie, as we discussed I will contact applicant and notify of time constraints, Monday will be our projected date.

Thanks,

Michael V. Farabee  
New Orleans District  
Regulatory Branch  
Chief, Eastern Evaluation Section

(504) 862-2292  
(504) 862-2117 Fax

In order to assist us in improving our service to you, please complete the survey found at: <http://per2.nwp.usace.army.mil/survey.html>

-----Original Message-----

**From:** Evelyn S. Harris [mailto:Evelyn.Harris@tbsmith.com]  
**Sent:** Friday, June 25, 2010 12:38 PM  
**To:** Christine Charrier; karl.morgan@la.gov; Joseph "Jay" Pecot; Farabee, Michael V MVN; Jsmith@jeffparish.net; sharon.mccarthy@la.gov; Lacoste, Angie D MVN; Jsmith@jeffparish.net  
**Cc:** Kenny J. King; Kenneth W. Smith; Craig Guidry; Chet Morrison; Barry J. Kennedy; bblanchard@chetm.com  
**Subject:** Emergency Use Authorization for Western Pas Abel

Agencies Notified: La. Dept. of Natural Resources (CMD), U.S. Army Corps of Engineers, Jefferson Parish

Notification to U.S. Coast Guard will be done under separate cover.

On behalf of our Client, bp America Production Company, we are requesting emergency authorization to install a fabricated temporary boom in Pass Abel. This is separate from the EUA-065 and MVN 2010-01478 EKK – NOD 20 that were issued on June 24, 2010. The location of this temporary boom placement is on the western side of the barges that are being permitted by Jefferson Parish. (I believe that is EUA-057) Again, this is an effort to keep oil from the interior marshes. Attached is a set of drawings consisting of a Vicinity Map, Rigid Boom Coordinates, Boom Connection Plan and a note page containing an equipment list, complete with the draft of the vessels. The boom will be held in place by piles that are to be vibrated in at staggered 100-foot intervals.

The barges and the boom (eastern side) shown on sheet 2 of 4 are approved under the EUA's listed above and are not a part of this emergency permit application.

As the proposed boom will cross a 12-inch BOA Main and a 12-inch Loop operated by Plains All American Pipeline, LP, a copy of the "read receipt" showing that a Plains representative has been notified with proposed drawings is attached. Notification by Certified mail will be sent today.

Our client proposes for work to begin immediately and the estimated timeframe for completion of the installation will be approximately 8 to 10 working days. No work has started or been completed on this project at the time of request.

Contact for bp:

Artie Myers

2401 5th Avenue 5, NOB 3-C

Texas City, TX 77592

Office: [REDACTED]

Cell: [REDACTED]

[Artie.myers@bp.com](mailto:Artie.myers@bp.com)

Contact for T. Baker Smith, Inc:

Evelyn Harris

1100 South Acadia Rd.

Thibodaux, LA 70301

Office: [REDACTED]

Cell: [REDACTED]

[Evelyn.Harris@tbsmith.com](mailto:Evelyn.Harris@tbsmith.com)

US. Coast Guard contact:

Chief Gary Kessell

[REDACTED]

Chief Kessell is on site with bp and has requested to be notified by sending emails to bp Project Manager Glen Johnson

[Johnsog5@bp.com](mailto:Johnsog5@bp.com)

I can be reached at [REDACTED] until 2 pm. The best way to reach me this after that is by cell: [REDACTED]

Thank you and have a pleasant week-end,

Evelyn

Evelyn S. Harris

Project Controller

T. BAKER SMITH, INC.

Direct Line: [REDACTED]

Main Line: [REDACTED]

Cell Phone: [REDACTED]

Toll Free: [REDACTED]

Fax: [REDACTED]

Webpage: [www.tbsmith.com](http://www.tbsmith.com) <<http://www.tbsmith.com>>